

FPMA-D935D4

NEOMOUNTS MONITOR ARM DESK MOUNT

SPECIFICATIONS

GENERAL

| | |
|-------------------|-------------------|
| Min. screen size* | 10 inch |
| Max. screen size* | 27 inch |
| Min. weight | 0 kg (per screen) |
| Max. weight | 6 kg (per screen) |
| Screens | 4 |
| VESA minimum | 75x75 mm |
| VESA maximum | 100x100 mm |
| Desk mount | Clamp |

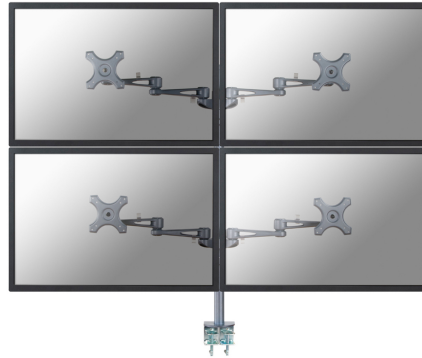
FUNCTIONALITY

| | |
|-------------------|-------------|
| Type | Full motion |
| | Tilt |
| | Rotate |
| | Swivel |
| Height adjustment | 0-80 cm |
| Depth adjustment | 12-50 cm |
| Tilt (degrees) | 180° |
| Swivel (degrees) | 300° |
| Rotate (degrees) | 360° |
| Adjustment type | Manual |

INFORMATION

| | |
|---------------|---------------|
| Color | Silver |
| Main material | Aluminium |
| Warranty | 5 year |
| EAN code | 8717371441722 |

*Please note: The inch sizes stated are just an indication, combined with the weight and VESA sizes. The maximum weight and VESA size are absolute restrictions for the products and should not be exceeded.



Neomounts



Neomounts

Neomounts Tilt/Turn/Rotate Quad Monitor Arm Desk Mount (clamp) for four 10-27" Monitor Screens, Height Adjustable - Silver

The Neomounts desk mount, model FPMA-D935D4 is a tilt-, swivel and rotatable desk mount for 4 flat screens up to 27". This mount is a great choice for space saving placement on desks using a desk clamp.

Neomounts versatile tilt (180°), rotate (360°) and swivel (300°) technology allows the mount to change to any viewing angle to fully benefit from the capabilities of the flat screen. The mount is manually height adjustable from 0 to 80 centimetres. Depth adjustable from 12 to 50 centimetres. An innovative cable management conceals and routes cables from mount to flat screen. Hide your cables to keep the workplace nice and tidy.

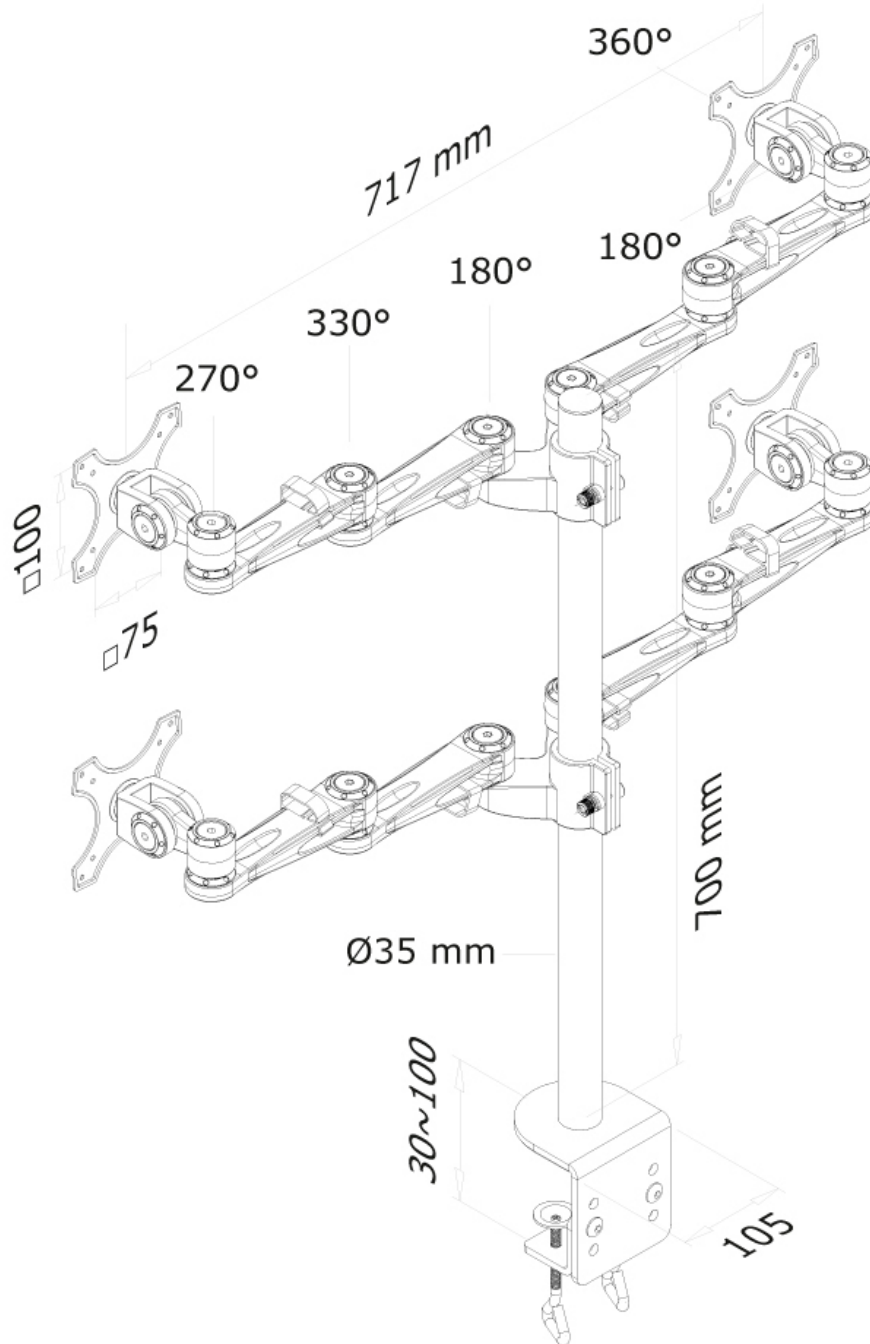
Neomounts FPMA-D935D4 has three pivot points and is suitable for screens up to 27" (69 cm). The weight capacity of this product is 6 kg each screen. The desk mount is suitable for screens that meet VESA hole pattern 75x75 or 100x100mm. Different hole patterns can be covered using Neomounts VESA adapter plates.

By using an ergonomic mount neck- and back complaints can be avoided. Ideal for use in offices and on counters or in a reception area.

All installation material is included with the product.

FPMA-D935D4

NEOMOUNTS MONITOR ARM DESK MOUNT



Neomounts